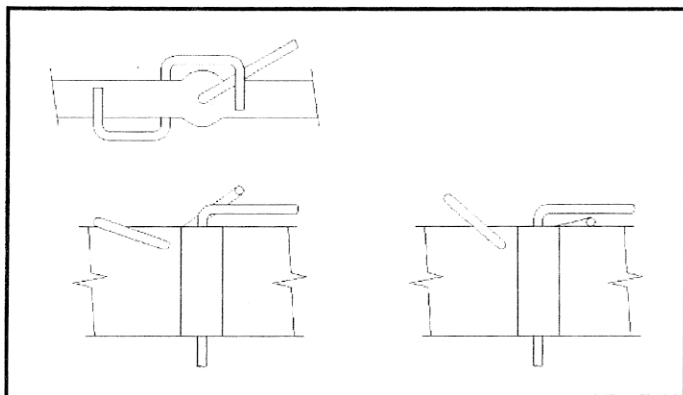


Plastic Prop Clutch

*Comments by Michael Heinrich on a tidbit from the Internet,
published in the May/June 2007 issue of The Nebraska Free
Flighters "Winding Stooge," Hank Sperzel, Editor*

I love this clutch, it's self-resetting in a very reassuring way and is simple to use. This sketch shows it set up through a hole drilled in the side of a plastic prop, as near to the shaft as you can get. I'd got stuck in thinking of using the stock prop, but this way is better.



Ed. Note: This is essentially the same scheme as set forth by George Nason in the September 06 issue of this rag.