

WHAM

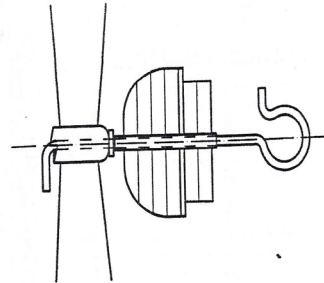
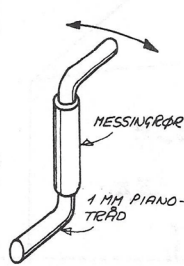
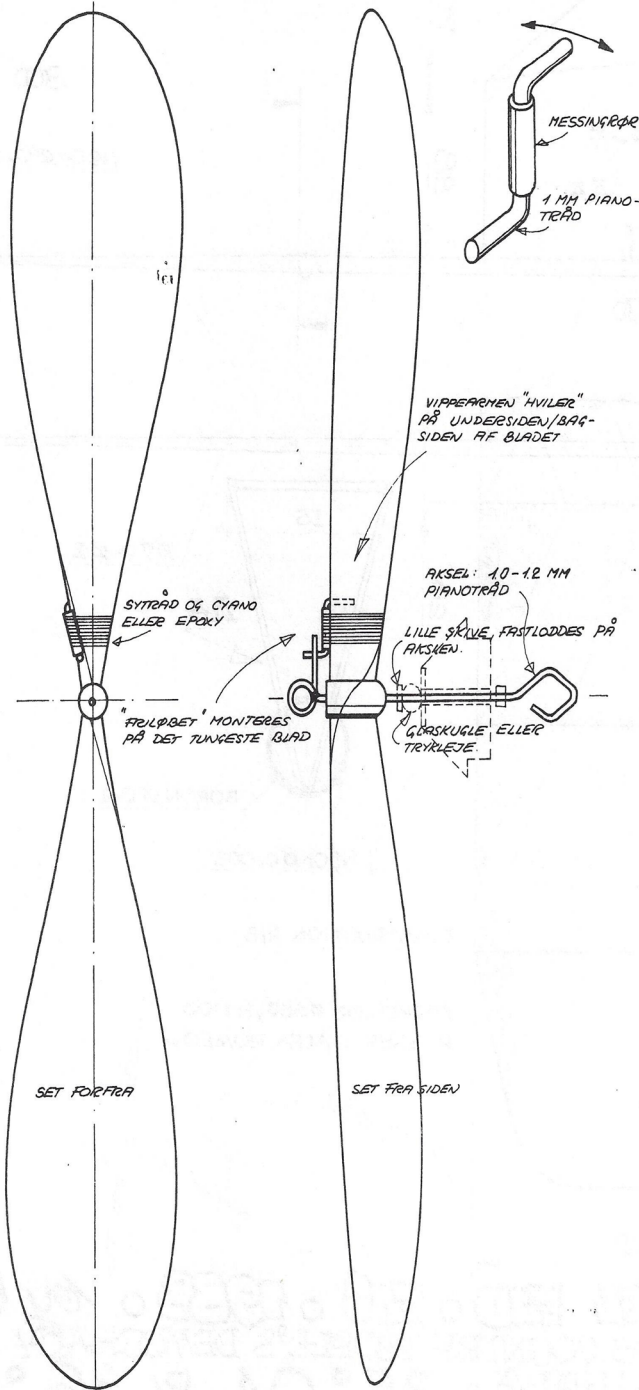
NEWS, VIEWS, and REVIEWS

Official Publication of the
Wichita Historical Aircraft Modelers, SAM 56, and
the Kansas Sunflower Squadron, FAC Squadron #23

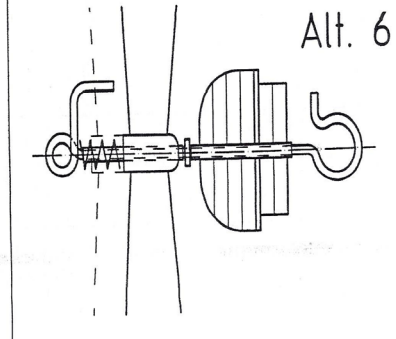
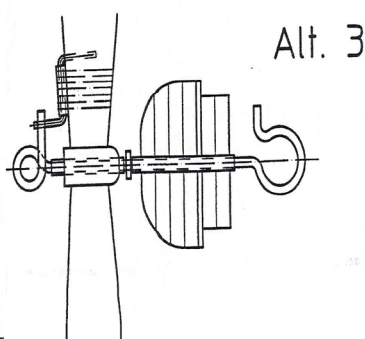
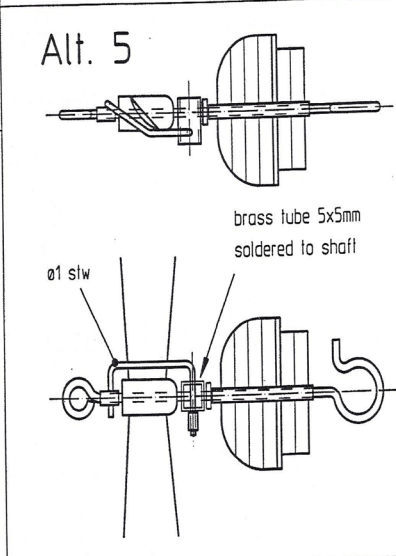
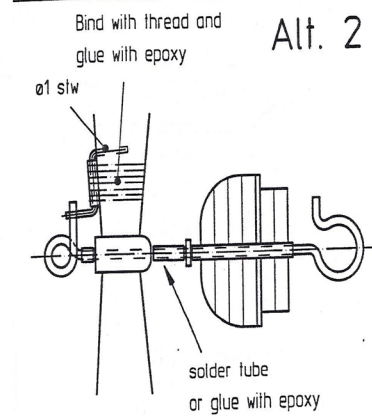
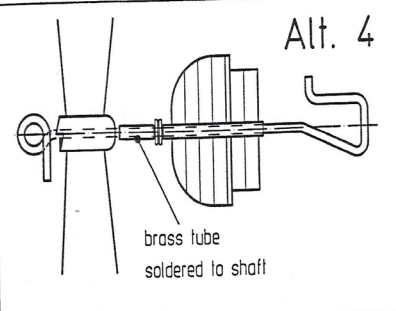
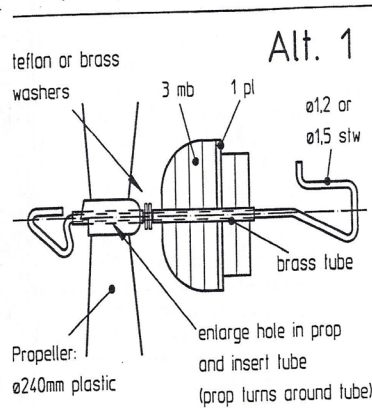


Issue JE2-12.1
July 2023

PECK-POLYMERS, 240 MM DIA & ≈ 220 MM STIGN.



P-30 propeller- mechanisms



May 13, 2023, Meeting Minutes

ATTENDEES:

Phil Burress, Jeff Englert, Regina & Marty Kline, and Marilyn & Bill Schmidt

Phil called the meeting to order, Minutes were approved as reviewed.

Treasurer's report reported that balance was positive.

OLD BUSINESS:

None

NEW BUSINESS:

Science Olympiad practice at the Wellington Center was announced.

Phil proposed the club make donations \$200 and \$300 to Kansas Honor Flights and Rainbows United. Motion was seconded and passed.

SHOW AND TELL:

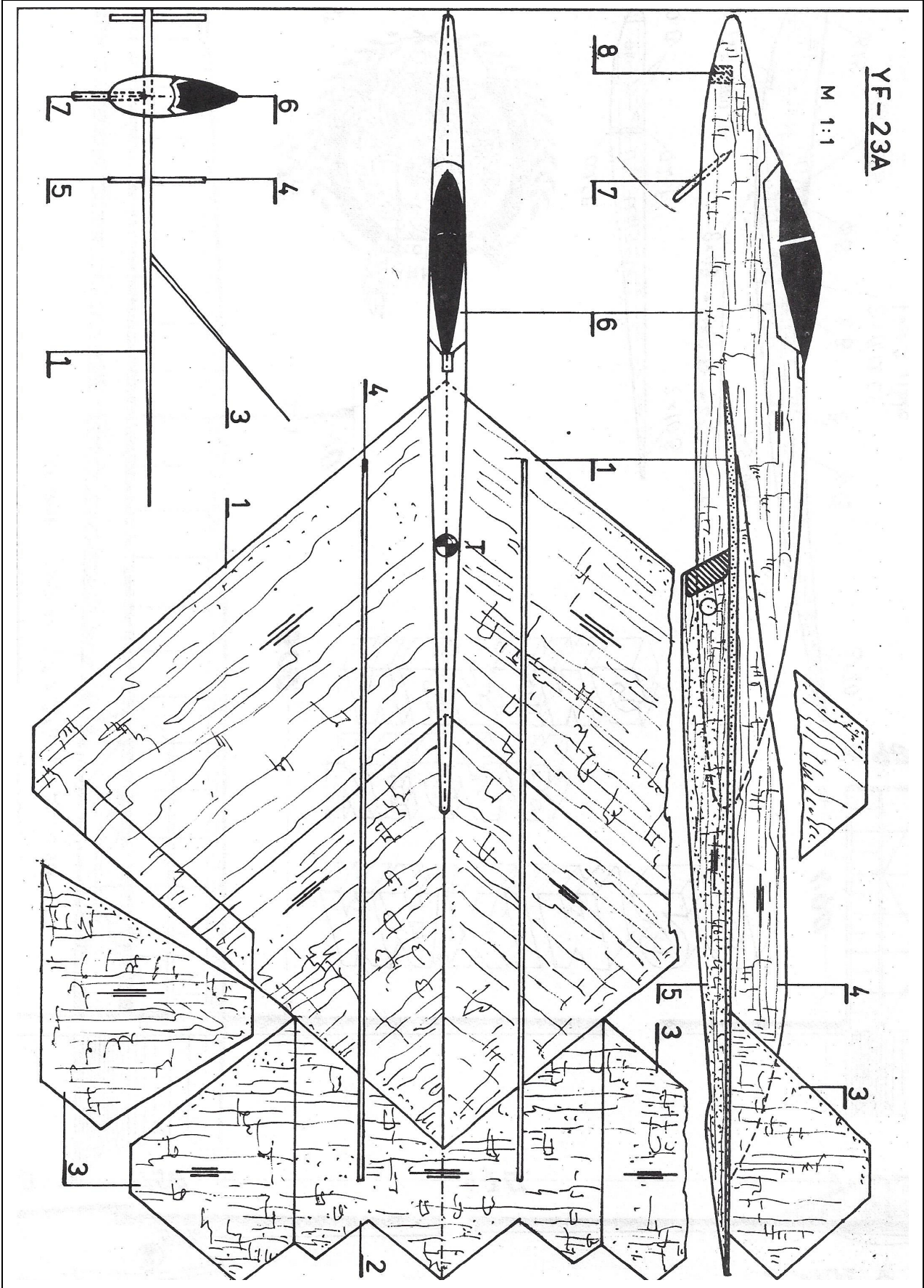
Phil Displayed his mini-stick design. He stated it was based on multiple reviews of other designs. He chose an upside-down airfoil for the stab. His prop was formed using the cylinder method. Overall weight 0.5 gm.

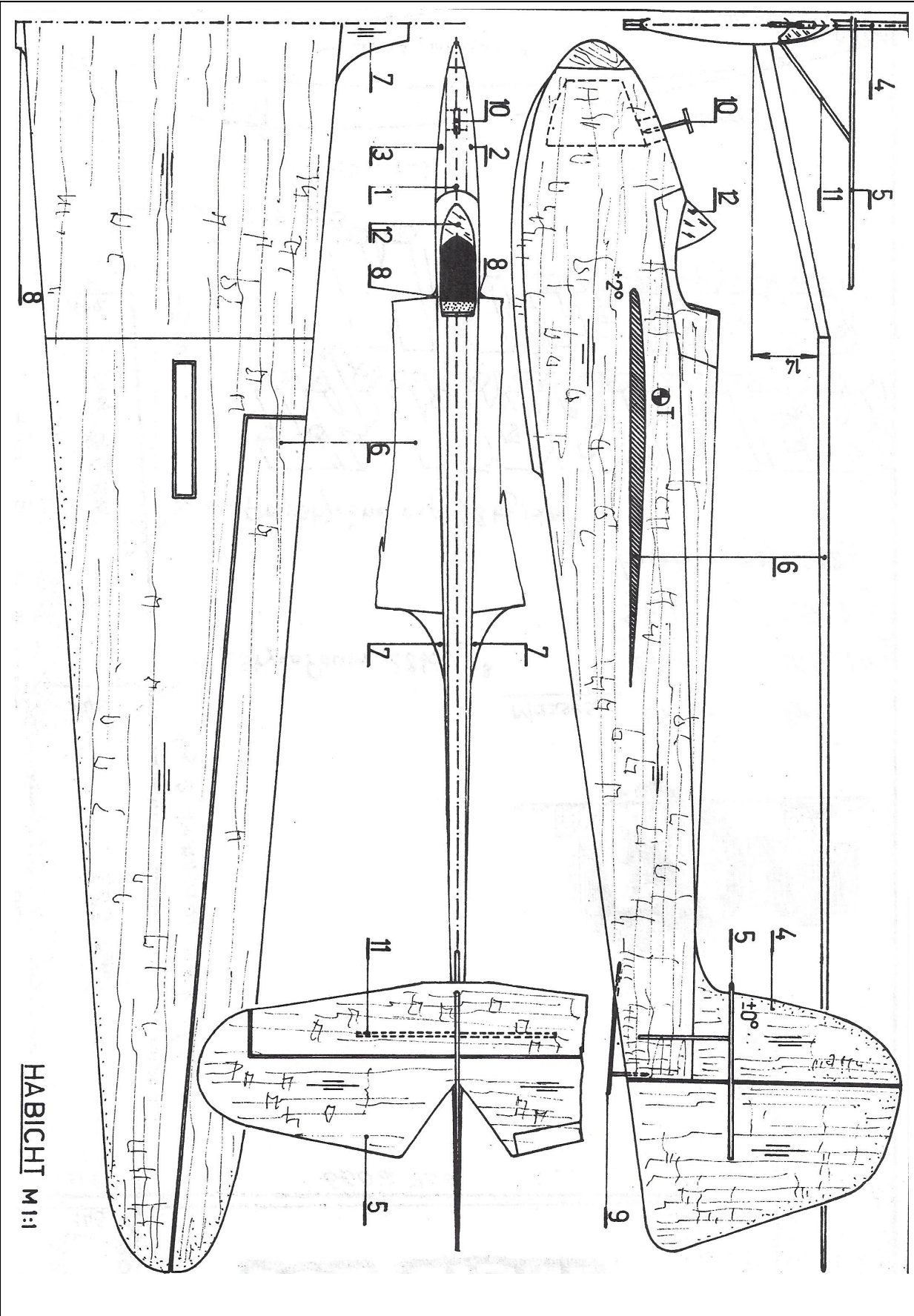
Bill Schmidt displayed the Original Helioplane, which was developed using a Piper as the original structure. His version was built from his own plans. He also displayed the Bellanca Crusair built from the Ace Whittman kit. He made structural mods, but retain the overall outlines of the kit.



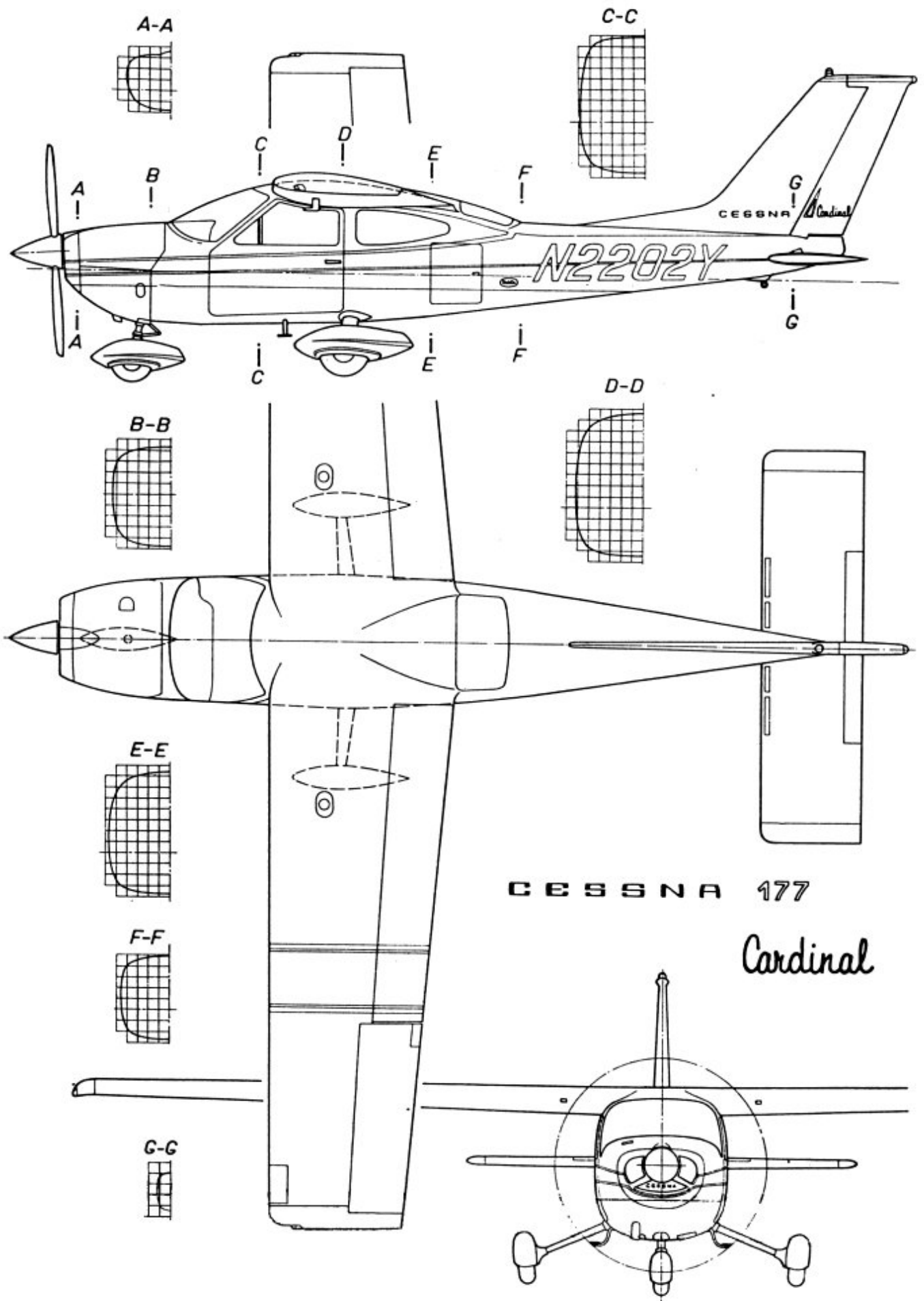
YF-23A

M 1:1





HABICHT M1:1



WHAM – News, Views, and Reviews

Jeff Englert
10118 Sterling Court
Wichita, KS 67205



The next SAM 56 Dinner Meeting will be at:

Mediterranean Grill

335 S Towne East Mall Dr., Wichita, KS 67207

(316) 651-5599

Saturday, July 8, 2023

Social Hour @ 6:00 PM, Dinner @ 6:30 PM...

Upcoming events:

Membership Information:

Open to all interested AMA members, founded to encourage and promote model airplane building.
Member dues ~~\$20~~ (not this year!) annually, Subscription only; \$12 annually, \$18 foreign.

Club Officers:

President: Chuck Powell,
Treasurer: Phil Burress,

Vice-President: Marty Kline
Secretary: Jeff Englert, 722-7491