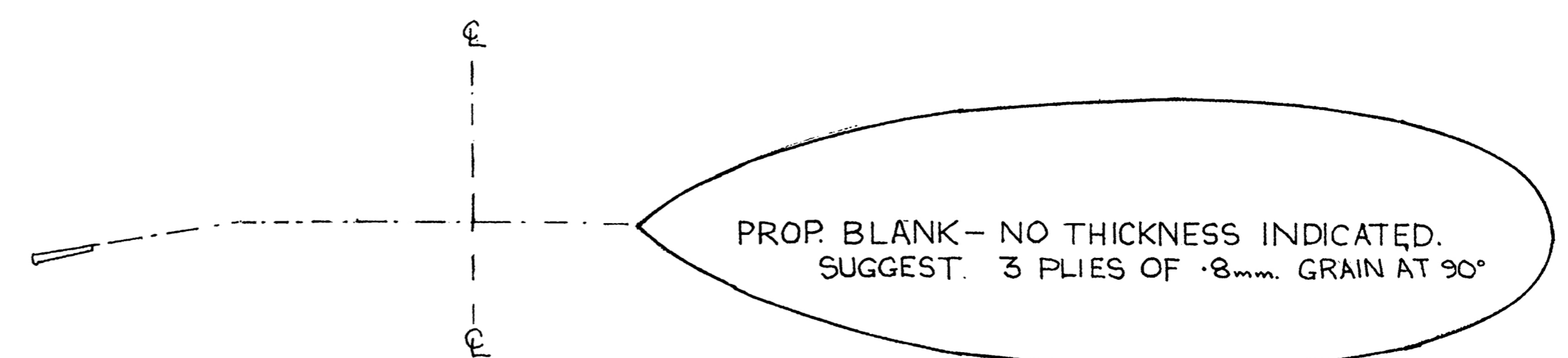
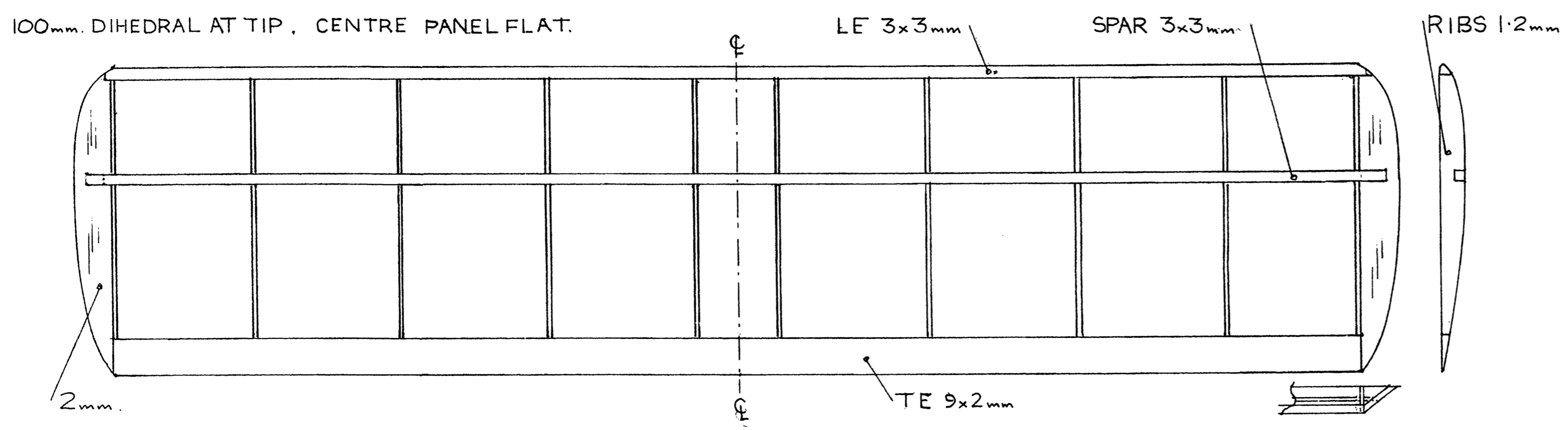
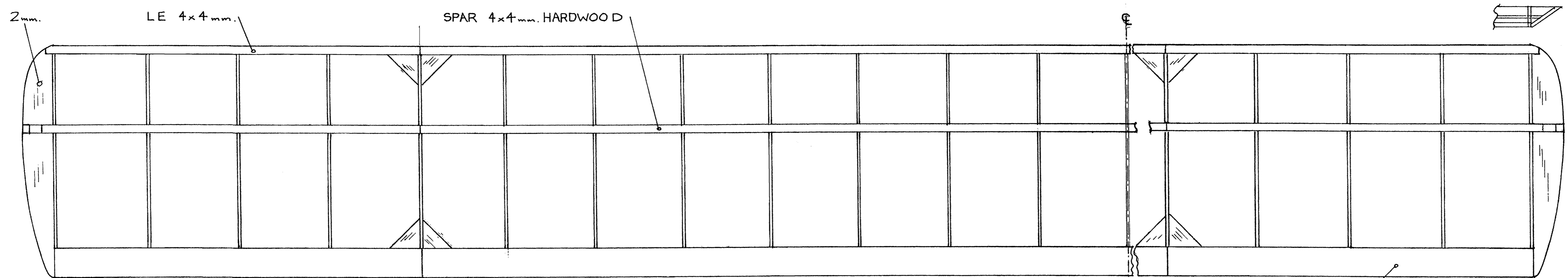
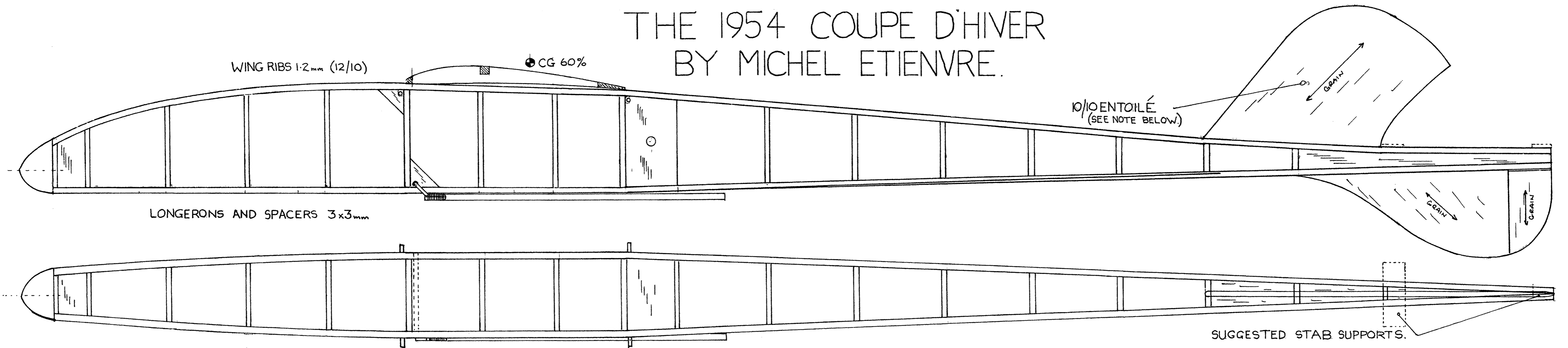


THE 1954 COUPE D'HIVER BY MICHEL ETIENVRE.



PROP. DETAILS: - Ø 396mm MOULDED ROUND JAR. MAX. UNDERCAMBER 2mm
BLADE ANGLE 31° AT 180mm RADIUS.

POWER: - 6 STRANDS 6x1mm. TENSION: - "VOL LIBRE" DRAWING SHOWS "SAFETY PIN" SPRING AND SCREW STOP. SOME MAY PREFER A REVERSED MONTREAL STOP.
TRIM: - RIGHT/LEFT.

FIN. 10/10 ENTOILÉ :- QTR. GRAIN 1/16in TISSUE COVERED. NON-SHRINK DOPE.