

2010 FLYING ACES CLUB CONTEST DIRECTOR'S SCORING WORKSHEET PACKET

The scoring worksheets in this packet have been reviewed and approved by the CinC and are designed to simplify the scoring of FAC events.

The worksheets are NOT intended to supplant or amplify the Flying Aces Club Rule Book. Contest Directors will need to refer to the Rule Book for all guidance related the scoring process, eligibility, procedures or or anything else which isn't obvious on these score sheets. These sheets are simply for the recording of information concerning bonus points, scale points and flight times and to simplify any mathematics involved in arriving at total scores for multiple contestants.

Although there are only a total of 12 score sheet forms, you'll find that every event in the 2010 rule book except the BLUR race is covered by one of the forms. Many of the score sheets are useful for several different events.

These score sheets are designed for printing and placing in a 3 ring binder if desired. So there will be no concern about wind, rain, spilled coffee etc., ruining the score sheets it is recommended that they be laminated and written on with "sharpie" type pens Errors are erased with rubbing alcohol and a que tip, and the sheets can be reused indefinitely. Scotch taping a tab on each event sheet allows rapid location while recording scores.

Included is an FAC Scale Judging worksheet which can be reproduced and aid in judging individual models. You'll also find a Rubber Scale Bonus Point Computation Guide and an FAC Power Scale Bonus Point Computation Guide which can reduce the need to constantly thumb through the Rule Book.

Comments and recommendations for improving these score sheets, while working within the confines of an 8.5"X11" sheet are welcomed.

**George H. White
Pensacola Free Flight Team
Gulf Coast Aeroplane Works, FAC Squadron # 46
5928 Hermitage Drive
Pensacola, FL 32504
White76@cox.net**

2010 FAC SCALE JUDGING WORKSHEET

(NOT APPLICABLE TO GHQ PEANUT OR JET CATAPULT SCALE — SEE SCORE SHEETS FOR THOSE EVENTS)

CONTESTANT # _____ FULL NAME _____

EVENT _____ MODEL _____

(1) CONSTRUCTION & DETAILS:

A maximum of 30 points will be given for general accuracy and the extent of detail such as struts, rigging, engine cowl, exhausts, armament, etc. No cockpit or cabin interiors will be considered, except for the windscreen and instrument panel, unless a full panel is impossible due to a high thrust line.

| <u>NOT MUCH</u> | <u>SOME OF IT</u> | <u>MOST OF IT</u> | <u>ALL THERE</u> |
|-----------------|-------------------|-------------------|------------------|
| 0 TO 10 | 11 TO 20 | 21 TO 29 | 30 |

(2) COLORING AND MARKINGS:

A maximum of 20 points will be given for accuracy and extend of coloring and markings. Judging will consider such items as insignia, numbering, large, wide stripes, major panel lines, etc. for a particular subject modeled. Where a model is built of a proposed design, the full scale prototype never having been built, then its color and markings should reflect its designed purpose and era of its creation. Silver colored tissue may be used to represent polished aluminum. There will not be any difference in scoring between the proper colored tissue and painted surfaces.

(3) WORKMANSHIP:

A maximum of 12.5 points will be given for workmanship, such as good covering, alignment, neatness, etc. Wear and tear should not be a negative factor in determining workmanship points. Models do not have to be in pristine condition to to get maximum workmanship points.

SCALE POINTS FOR THIS CONTESTANT:

(1) _____ POINTS FOR CONSTRUCTION AND DETAILS plus

(2) _____ POINTS FOR COLORING AND MARKINGS plus

(3) _____ POINTS FOR WORKMANSHIP =

_____ **TOTAL SCALE SCORE**

2010 BONUS POINT COMPUTATION GUIDE FOR FAC RUBBER SCALE

Bonus Points
Awarded

BASIC MODEL CONFIGURATION (These are **added** to points relating to power)

- 0 High wing cabin monoplane
- 3 Parasol wing
- 5 Shoulder or mid-wing
- 5 Canard or tandem wing
- 10 Low wing
- 15 Biplane or sesquiplane
- 20 More than two wings
- 10 Seaplane with multiple floats of proportional scale dimensions
- 10 Flying boat or amphibian
- 15 Unorthodox design (whatever is not listed above....flying wings, autogyro, etc.)
- 3 Skis of scale width and length
- 2 Each non-powered scale size/diameter prop
- 5 Each **rubber** powered contra-prop **unit** in scale location that freewheels
- 7 Each **rubber** powered contra-prop **unit** in scale location that does not freewheel
NOTE re Contra Props: Each prop must turn in the opposite direction at the same speed when the prop shaft is turned
- 1 Each housing for a non-powered jet engine or multiple jet engines attached to a wing or the fuselage via an appendage.

ADDITIONAL POINTS FOR RUBBER MODELS BASED ON NUMBER AND LOCATION OF POWERED PROPS

SINGLE PROP

- 5 If the prop is a "pusher" in the scale location

TWO PROPS

- 10 For center-line tandem props if both props are powered in such a manner as to contribute generously to the thrust and duration of motor run needed for flight
- 25 For off-center twins
- +5 If one or both props is a "pusher" in a scale location (excluding tandem aircraft)

THREE PROPS

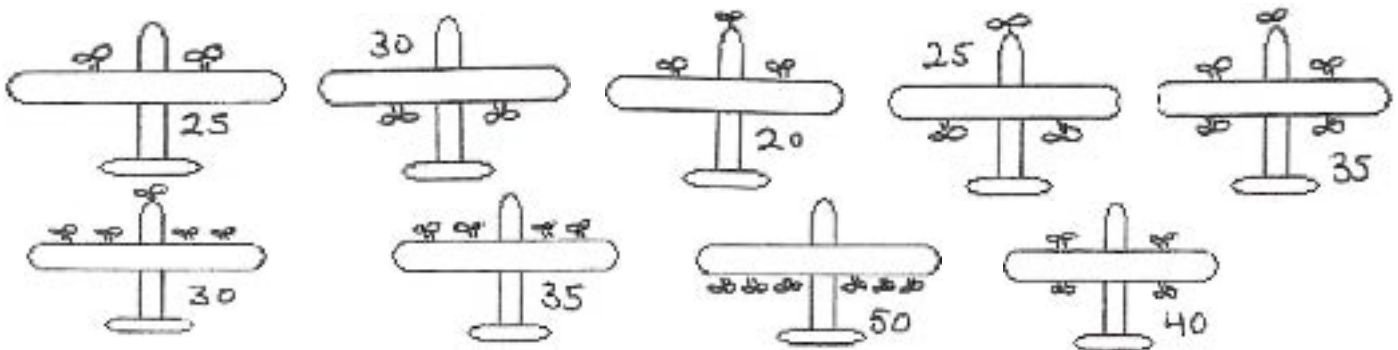
- 20 "Tri-motor models provided te off-center props contribute significant power
- +5 If ANY prop is a "pusher" in a scale location

ADDITIONAL PAIR OF PROPS

- 10 Each additional pair provided all props are equally powered
- +5 If ANY prop is a "pusher" in a scale location

DUCTED FAN MODELS

- 15 Ducted fan propulsion model
- +7 Each additional ducted fan unit



2010 BONUS POINT COMPUTATION GUIDE FOR FAC POWER SCALE

Bonus Points
Awarded

BASIC MODEL CONFIGURATION (These are **added** to points relating to power)

- 0 High wing cabin monoplane
- 3 Parasol wing
- 5 Shoulder or mid-wing
- 5 Canard or tandem wing
- 10 Low wing
- 15 Biplane or sesquiplane
- 20 More than two wings
- 10 Seaplane with multiple floats of proportional scale dimensions
- 10 Flying boat or amphibian
- 15 Unorthodox design (whatever is not listed above....flying wings, autogyro, etc.)
- 3 Skis of scale width and length
- 2 Each non-powered scale size/diameter prop
- 1 Each housing for a non-powered jet engine or multiple jet engines attached to a wing or the fuselage via an appendage.

ADDITIONAL BONUS POINTS BASED ON NON-ELECTRIC DRIVEN PROPS

- 15 For first driven tractor prop
- 20 For first driven pusher prop
- 25 For each additional driven prop, regardless of how driven or where located

ADDITIONAL BONUS POINTS BASED ON ELECTRIC DRIVEN PROPS

- 0 For first driven tractor prop
- 5 For first driven pusher prop
- 5 For each additional driven prop regardless of how driven or where located

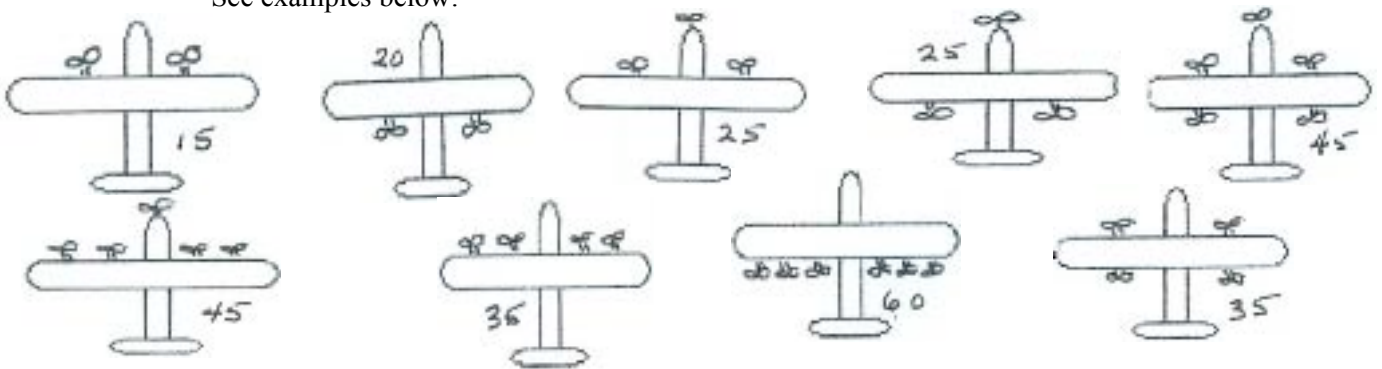
ELECTRIC DRIVEN CONTRA-ROTATING PROPS

Contra-rotating prop pairs count as prop #1 and prop #2. For example:

One tractor contra-prop unit on the nose would equal 5 points — 0 points for prop #1 plus 5 points for prop #2.

One pusher contra-prop unit on the tail would equal 10 points — 5 points for the first pusher and 5 points for the additional prop

See examples below:



ADDITIONAL BONUS POINTS FOR NON-RUBBER POWERED DUCTED FAN MODELS

- 10 Single ducted fan model
- 5 Each additional ducted fan unit

2010 EVENT TO SCORE SHEET CROSS REFERENCE

**SCORE
SHEET
FORM**

| <u>#</u> | <u>EVENT</u> |
|----------|---------------------------------|
| 1 | Peanut Scale |
| 1 | Rubber Scale |
| 1 | Jumbo Scale |
| 1 | Giant Scale |
| 1 | Rubber Powered Jet Scale |
| 2 | Rocket/Jet Scale |
| 3 | Pioneer Scale |
| 2 | Power Scale |
| 6 | FAC-GHQ Peanut Scale |
| 4 | Golden Age Civil Scale |
| 4 | Golden Age Military |
| 4 | Modern Age Civil Scale |
| 4 | Modern Age Military |
| 4 | Low-Wing Military Trainer Scale |
| 5 | Thompson Race |
| 5 | Greve Race |
| 12 | Shell Speed Dash |
| 5 | Aerol Race |
| 5 | Bendix Race |
| 5 | Goodyear/Formula Race |
| 5 | WWI Combat |
| 5 | WWII Combat |
| 9 | Jet Catapult Scale |
| 7 | FAC Dime Scale |
| 8 | Pseudo Dime Scale |
| 7 | Old Time Plan/Kit Scale |
| 11 | No-Cal Profile Scale |
| 12 | Phantom Flash |
| 10 | Embryo Endurance |
| 12 | Old Time Stick |
| 12 | Old Time Rubber Cabin |
| 12 | 2 -Bit Plus One OTR |
| 12 | Jimmy Allen |
| 12 | Old Time Gas Replica |

